

MPC SYSTEM



Device	CAN Address	Input	Output	Current	Power	Notes
MP1	0x00	UNUSED	UNUSED	UNUSED	UNUSED	
MP2	0x01	UNUSED	UNUSED	UNUSED	UNUSED	
MP3	0x02	UNUSED	UNUSED	UNUSED	UNUSED	
MP4	0x03	UNUSED	UNUSED	UNUSED	UNUSED	
MP5	0x04	UNUSED	UNUSED	UNUSED	UNUSED	
MP6	0x05	UNUSED	UNUSED	UNUSED	UNUSED	
MP7	0x06	UNUSED	UNUSED	UNUSED	UNUSED	
MP8	0x07	UNUSED	UNUSED	UNUSED	UNUSED	
MP9	0x08	UNUSED	UNUSED	UNUSED	UNUSED	
MP10	0x09	UNUSED	UNUSED	UNUSED	UNUSED	
MP11	0x0A	UNUSED	UNUSED	UNUSED	UNUSED	
MP12	0x0B	UNUSED	UNUSED	UNUSED	UNUSED	
MP13	0x0C	UNUSED	UNUSED	UNUSED	UNUSED	
MP14	0x0D	UNUSED	UNUSED	UNUSED	UNUSED	
MP15	0x0E	UNUSED	UNUSED	UNUSED	UNUSED	
MP16	0x0F	UNUSED	UNUSED	UNUSED	UNUSED	
MP17	0x10	UNUSED	UNUSED	UNUSED	UNUSED	
MP18	0x11	UNUSED	UNUSED	UNUSED	UNUSED	
MP19	0x12	UNUSED	UNUSED	UNUSED	UNUSED	
MP20	0x13	UNUSED	UNUSED	UNUSED	UNUSED	
MP21	0x14	UNUSED	UNUSED	UNUSED	UNUSED	
MP22	0x15	UNUSED	UNUSED	UNUSED	UNUSED	
MP23	0x16	UNUSED	UNUSED	UNUSED	UNUSED	
MP24	0x17	UNUSED	UNUSED	UNUSED	UNUSED	
MP25	0x18	UNUSED	UNUSED	UNUSED	UNUSED	
MP26	0x19	UNUSED	UNUSED	UNUSED	UNUSED	
MP27	0x1A	UNUSED	UNUSED	UNUSED	UNUSED	
MP28	0x1B	UNUSED	UNUSED	UNUSED	UNUSED	
MP29	0x1C	UNUSED	UNUSED	UNUSED	UNUSED	
MP30	0x1D	UNUSED	UNUSED	UNUSED	UNUSED	



ELECTRONIC POWER DISTRIBUTION SYSTEM FROM 12V TO 60V

The new powerbox MPC by XAP integrates the latest generation of high performance power transistors. They are used to replace fuses and relay preserving flexibility and the specificity of a custom system.

They allow individual protection of each output thanks to configurable current thresholds defined by user with XAP software: MPC conf (provided).

Some outputs are PWM controlled to drive some equipment.

Electronic equipment of your boat or vehicle is perfectly protected.

XAP electronic powerboxes are plug and play compatible with our data loggers, dashboards, multiplexed keypads and steering wheels.

MPC network can be done. MPC can communicate by CAN bus in master/slaves mode or independent mode.

Some functions are available directly:
- Wiper, any Lights, fuel pump, flash mode, etc.

SIMPLIFY THE DESIGN OF YOUR ELECTRICAL HARNESS

ADD FLEXIBILITY TO YOUR ARCHITECTURE

- **MULTIPLE ELECTRICAL NETWORK MANAGEMENT**
- **WIRE SECTION REDUCTION**
- **LOOMS WEIGHT REDUCTION**
- **WATERPROOF**
- **EXCELLENT VIBRATION RESISTANCE**
- **OUTPUT STATUS AND CONSUMPTION DIAG**
- **OUTPUT CONFIGURABLE PARAMETERS:**
Overcurrent blanking time
Maximum current value
Continuous or alternating output (flashing)
Memory effect control or delayed command
Automatic resetting strategy in case of overcurrent (returned)
- **PWM AVAILABLE ON FEW OUTPUTS UP TO 20 KHZ**
- **HEAVY DUTY CONNECTORS**
- **MAIN BATTERY RELAY MANAGEMENT (FIA)**
- **FULLY CONFIGURABLE WITH PC SOFTWARE (PROVIDED)**
- **COMPATIBLE WITH ALL XAP DEVICE, AND ALL EQUIPMENTS THAT USE CAN PROTOCOL**

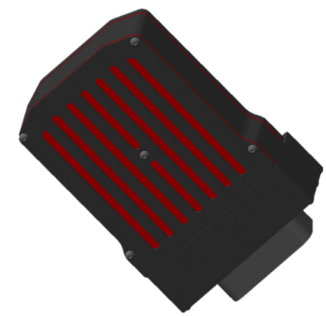
SIMPLICITY, SECURITY, RELIABILITY.



MPC - HB



MPC - LP

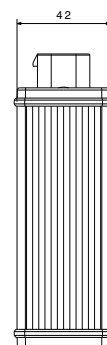
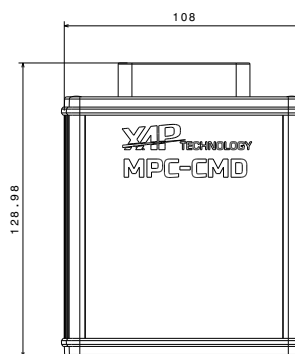
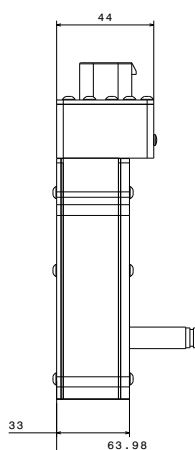
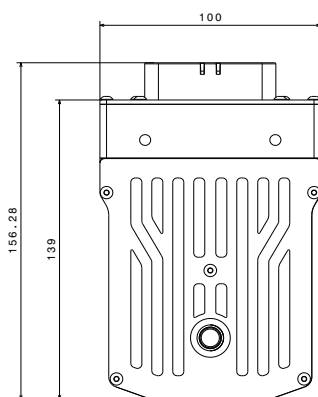


MPC - 17



► ELECTRONIC DISTRIBUTION SYSTEMS: **MPC**

DIMENSIONS



TECHNICAL SPECIFICATIONS MPC-CMD

75V MAX

10 INPUTS (Select ANA ou DIGIT)

3 FD-CAN
1 LIN ou 1 DIGIT
USB-C

2 TCK

1 ETHERNET 10:100M ou RS232-485 ou
4 digit

2 LEDS RGB d'état

TECHNICAL SPECIFICATIONS MPC-17

75V MAX

HIGH SIDE

4x50A, 6x25A, 7x10A
TOTAL MAX OF 250A

2 LEDS RGB d'état

TECHNICAL SPECIFICATIONS MPC-HB

75V MAX

1/2 H-BRIDGE MODULE

6x 50A

2 LEDS RGB d'état

TECHNICAL SPECIFICATIONS MPC-LP

75V MAX

HIGH SIDE

24x10A
TOTAL MAX OF 100A

2 LEDS RGB d'état

REFERENCES

PF0894	MPC-CMD
PF0895	MPC-HB
PF0896	MPC-LP
PF0897	MPC-17