



NT-DASH

The new **XAP NT-Dash** is a powerful colour dash board coupled with a 4GigaByte on board datalogger.

Includes an aluminium housing enclosed by a carbon front face and fitted with one or two autosport connectors.

The **NT-Dash** can be used at the highest levels of motorsport.

An integrated 5.0" TFT colour display with 800 x 480 pixel resolution ensures perfect readability in all environments.

THE BEST TECHNOLOGY AT THE BEST PRICE !

A BRIGHT 5" TFT DISPLAY
perfect readability in all environments.

UP TO 16 FULLY CONFIGURABLE RGB LEDS

DATA ACQUISITION
Up to 4Gibytes data logging memory, GPS

INTEGRATED LIGHT SENSOR

UP TO 12 ANALOG INPUTS
and 5 digital inputs

WATERPROOF ALUMINUM HOUSING

FULLY CONFIGURABLE
with the new XAP dash editing software

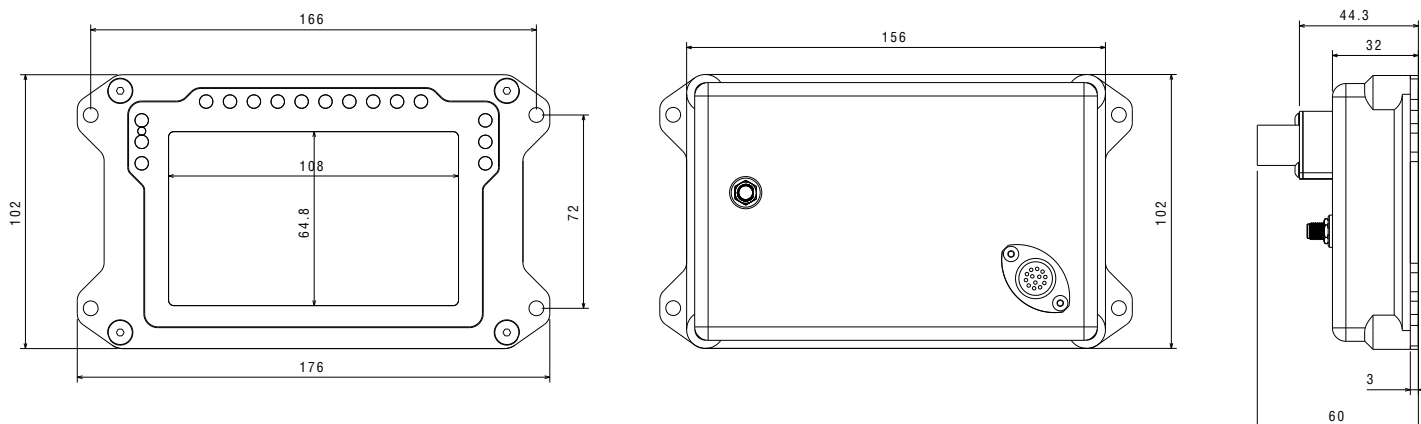
Optional
THREE INTEGRATED ACCELEROMETERS

EMBEDDED HIGH TECHNOLOGY FOR RALLY, TRACK, OFF-ROAD, ATR...



DASHBOARDS : NT-DASH

DIMENSIONS



TECHNICAL SPECIFICATIONS

Screen	5,0" TFT sunlight readable
Resolution	800 X 480 Pixels
RPM Led	10 RGB
Alert led	6 RGB
Can communication	1 x 20b terminated or not + 1 optional
Can Protocol	DTA, Sodemo, Motec, Cosworth, Magneti-Marelli, E-Race, Life, simulator, AEM
USB	Full speed
Weight	750 gr
Temperature range :	- 20°C to 80°C
Voltage	8 to 19 V/650mA
Data logging memory	4 G bytes/1kHz
Waterproof	IP65

REFERENCES

NT-Dash standard: 13 pin autosport connector, no data logging features

Options:

- GPS : includes a 20hz GPS inside and one external active antenna
- Data logging
- 37 pin autosport connectors

